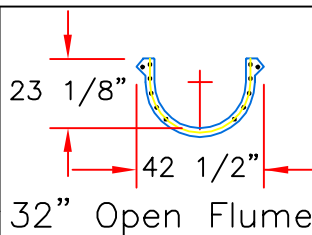


### POOL RECOMMENDATIONS

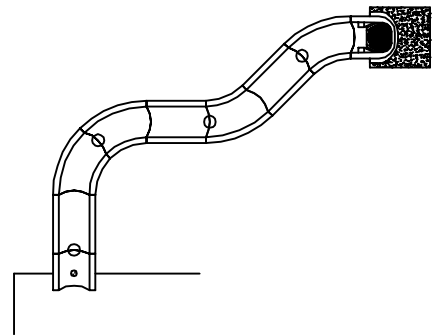
Recommended Minimum Pool Area Reserved For Slide Operation Is 10' x 20' With Minimum Water Depth Of 42"

### BASE SPECIFICATIONS

Ride Length	44.53'
Centerline Length	40.69'
Starting Elevation	7'-0"
Slope	18.71%
Flume Width	32.00"
Centerline Radius	6'-0"
Designed Water Flow	200 GPM



### MIRROR MODEL: PS45L-S



CONFIDENTIAL – PROPERTY OF Paradise Slides, Inc.

**Paradise Slides, Inc**

Standard Model PS45R-S

295 Singing Tree Ln. – Cleveland GA 30528

DWG SCALE  
1/8" = 1'-0"

DRAWN BY  
TCP

DWG. DATE  
April 14th, 2012

Phone (706)865-4849 Fax (706)865-4890

REVISION  
0

REVISION DATE  
--- --, ----

DWG. NO.  
PS45R-S